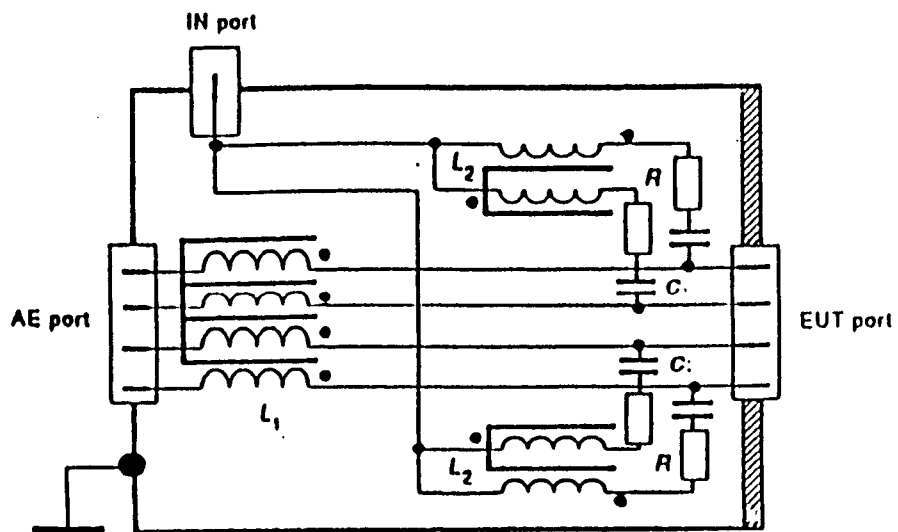


# Coupling-Decoupling Network

## C D N L-801 T 4

IEC 61000-4-6

AE Port	4mm Banana
EUT Port	4mm Banana
Leads	2 unscreened balanced pairs
Max. Voltage	100 V
Max. Current	0,25 A
IN Port	BNC 50 Ohm Connector
Frequency range	0,15 ... 230 MHz
HF Power Dissipation	4 Watt



# SCHWARZBECK MESS - ELEKTRONIK

Tel.: +49(0)6228/1001 [www.schwarzbeck.de](http://www.schwarzbeck.de) office@schwarzbeck.de

## L 801 T4



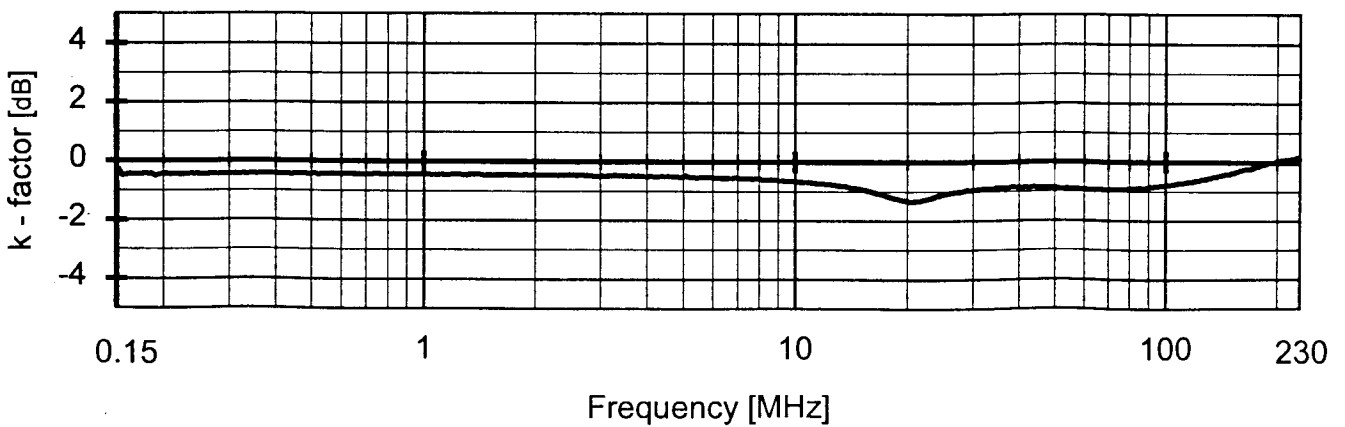
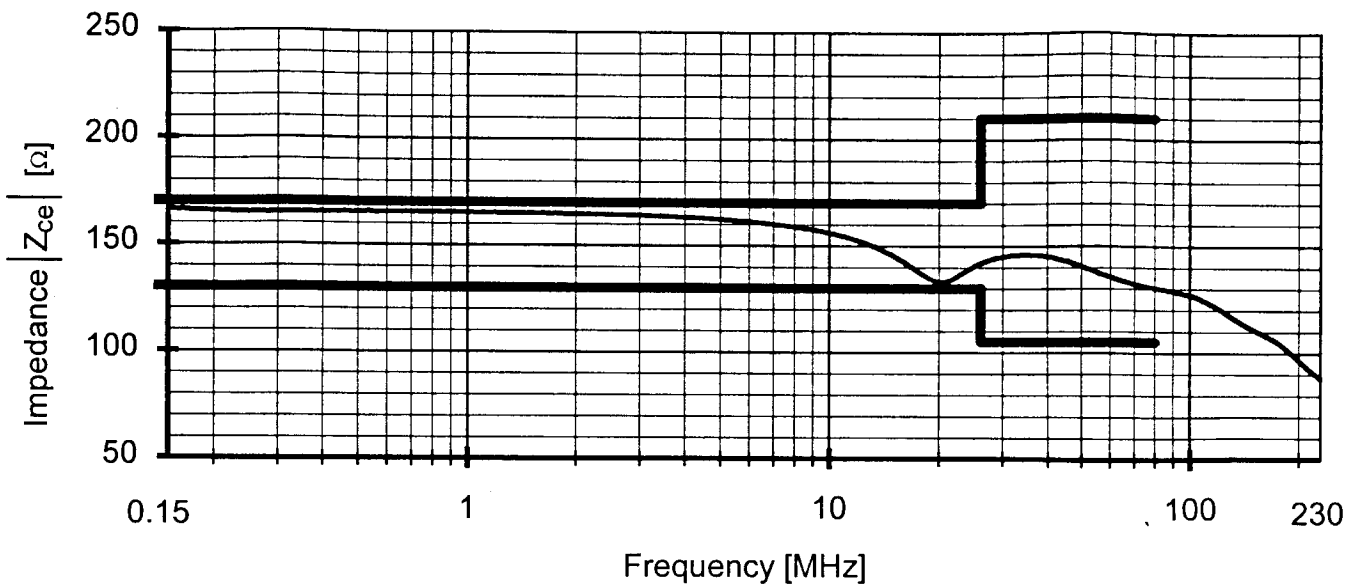
CDN, Erdsymmetrische Leitung, 4 mm Laborbuchsen



CDN Balanced Lines, 4 mm female connectors

**CDN Impedance and K-factor  
in the frequency range 150 kHz - 230 MHz  
in a test setup according to IEC 61000-4-6**

CDN Type T4



Equipment used:

Network Analyzer Typ ZVR      Inv. Nr. 4110  
50 Ω to 150 Ω Adaptor      Inv. Nr. 4159  
50 Ω to 150 Ω Adaptor      Inv. Nr. 4160

Location:

Reference for K-factor  
Measurement Impedance  
Measurement K-factor

EB15

Date and time:  
2002.04.26 11:14  
2002.08.16 09:02  
2002.08.16 09:13